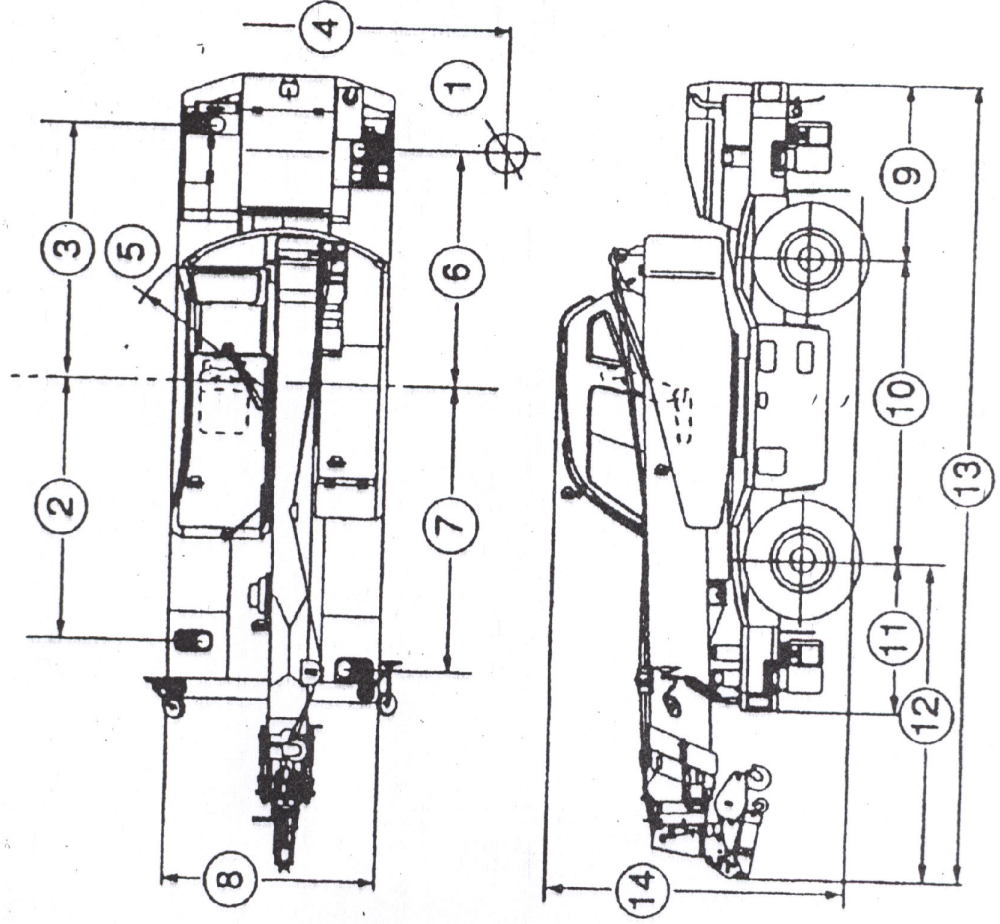


# TADANO CREVO TR-100ML

## 10 TONNE HYDRAULIC SLEW CRANE

### Specification



#### Overall Dimensions

Unit : mm

No.	Dimensions
①	φ 350
②	2,234
③	2,516
④	4,500 (with fully extended outriggers)
⑤	1,600
⑥	2,324
⑦	2,426
⑧	2,000 (max. width)
⑨	1,650
⑩	2,750
⑪	1,340
⑫	2,890
⑬	7,290 (max. length)
⑭	2,800 (max. height)

Main Winch Rope	127 metres	(Page 294 Operation Manual)
Aux Winch Rope	55 metres	(Page 294 Operation Manual)
Gross Vehicle Weight	12115kg	