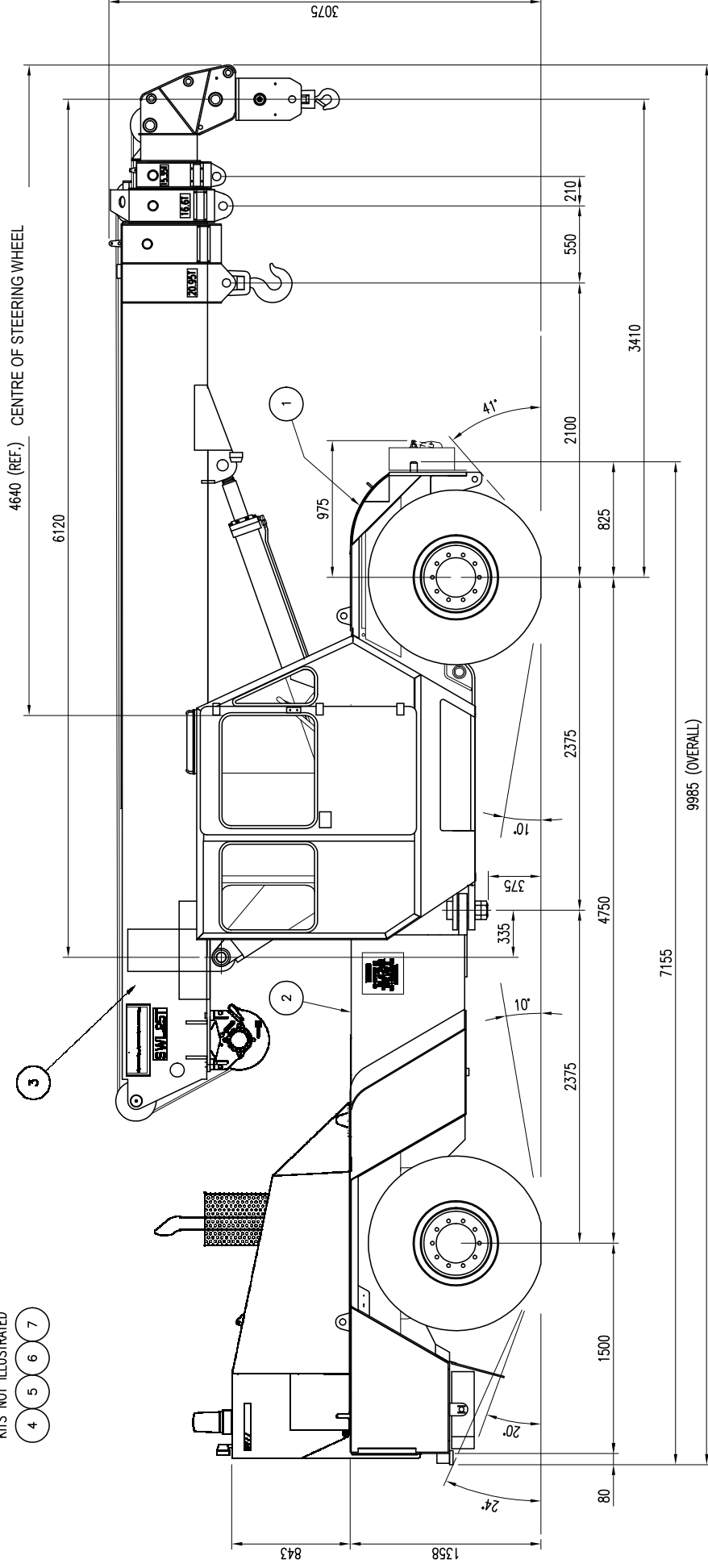


FRANNA MAC-25

25 TONNE ALL TERRAIN MOBILE CRANE

Specification

KITS NOT ILLUSTRATED



NOMINAL TARE: (C/WEIGHT REAR)

FRONT : 9850 kg
 REAR : 14040 kg
 TOTAL : 23900 kg

NOMINAL TARE: (C/WEIGHT FRONT)

FRONT : 11900 kg
 REAR : 12000 kg
 TOTAL : 23900 kg

TURNING RADIUS : 7900mm

WIDTH : 2720mm