

ZOOMLION

PUYUAN QY30V 30 TONNE MOBILE CRANE

Specification

Height	3.50 m
Length	13.23 m
Width	2.48 m
Regd Weight TARE	29600 kgs

3.4 整车外形图(见图 3-2) 3.4 Overall dimensions of the whole vehicle:(refer to Fig.3-2)

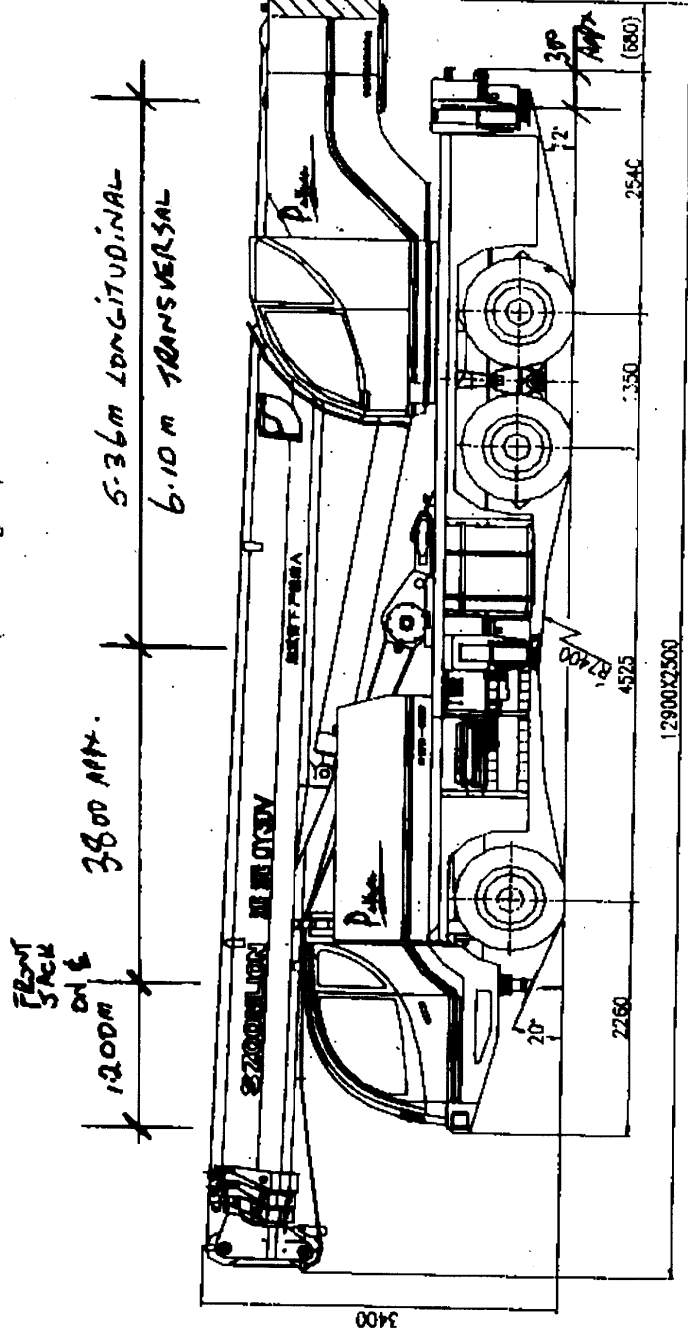
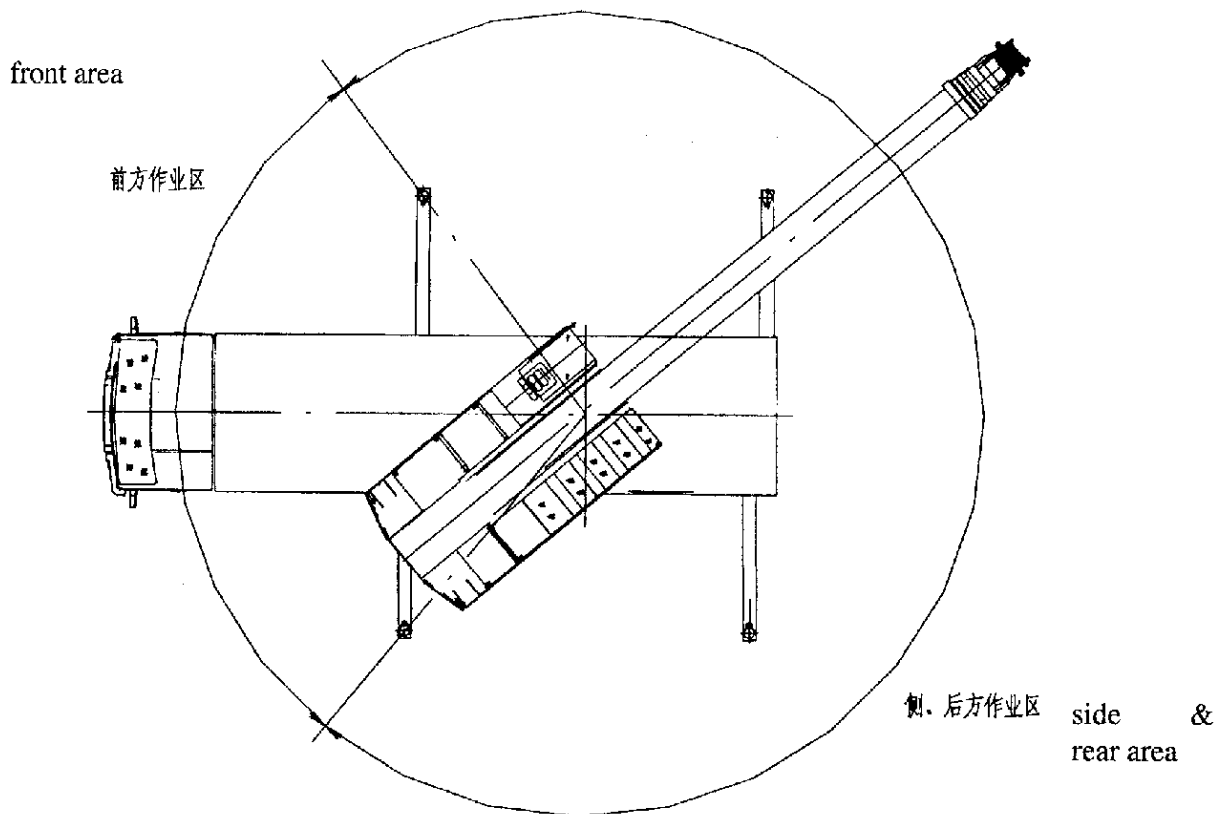


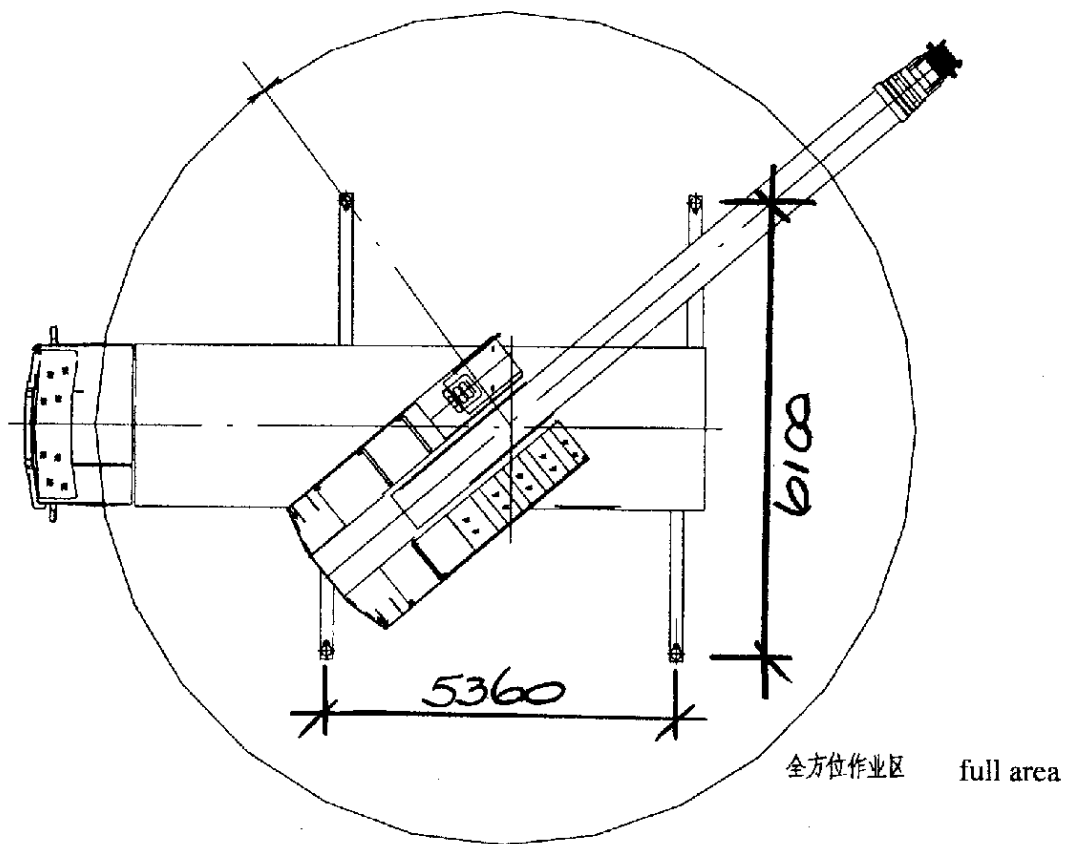
图 3-2 行驶状态外形图

Fig.3-2 Overall dimensions in traveling order

5 Lifting working area diagram: (refer to Fig.3-3)



(不打第五支腿) (without the 5th outrigger)



(打第五支腿) (with the 5th outrigger)

图 3-3 起重作业方位图 Fig.3-3 lifting working area